



1958 - 2023



65
ANNIVERSARY

More than 8.000
Grain dryers delivered.



PEDROTTI
GRAIN DRYERS SINCE 1958

1958 - 2023

65TH ANNIVERSARY



**THE WORLD LARGEST RANGE OF RECIRCULATING
BATCH GRAIN DRYERS SUITABLE TO DRY
EVERY CROP AND OLEAGINOUS.**



SIXTY-FIVE YEARS OF **EXPERIENCE** IN THE FIELD

PREMIUM QUALITY OF ALL COMPONENTS, MATERIALS AND TECHNOLOGY

HIGH LEVEL OF **SAFETY** ON ALL THE COMPONENTS OF THE MACHINES,
SMS AND E-MAIL WARNINGS AND **DLC ANTI-FIRE SYSTEMS**

TELE-ASSISTANCE AND **TECHNICAL MANTAINANCE** ALL OVER THE WORLD,
SPARE PARTS ALWAYS AVAILABLE THROUGH DECADES

ONE FULL SEASON OF WORK COVERED WITH
A COMPLETE FACTORY WARRANTY

LONG LASTING DRYERS STILL WORK AFTER MORE THAN 30 YEARS
HIGHEST RESELLING PRICE ON THE MARKET

4.0 GRAIN DRYERS WITH **REMOTE CONTROL** FROM ALL ELECTRONIC
DEVICES AND **COMPLETE AUTOMATION** OF THE DRYING FACILITIES
(WET CROP SILO - GRAIN DRYER - COOLING DEVICES - HANDLING AND STORAGE)



PEDROTTI LARGE 300 - AUTOMATIC - HOT DIP GALVANIZED



PEDROTTI GRAIN DRYERS FROM 1958 TO AGRICULTURE 4.0

The Fratelli Pedrotti company has a solid and qualified experience that has matured in over 50 years doing its best in the grain drying field.

The first models date back to the **beginning of the 50s**.

Vertical cylindrical dryers were born in the mid-60s and they are **our only production** and specialization since 1975. And nowadays we continue to evolve and improve our machines, up to the **4.0 level of automation** and data transfers.

The success on international scale of our company lasts since over 40 years. This permitted us to see our machines being used for every kind of cereal besides oleaginous and legumes as soybeans, oilseed rape, sunflower, peas, beans, etc. In addition, our machines can be distributed and used in areas with **very different climate**: from the most humid and rainy countries in the north of Europe – such as Ireland, Scotland, Scandinavian countries – to those countries with a more sever climate in the east of Europe – such as the Baltic Republics, Poland, Belarus, Russia – to the hottest areas in the south of Europe – such as Greece, Turkey – to the tropical climate in the central Africa countries and in Latin America.



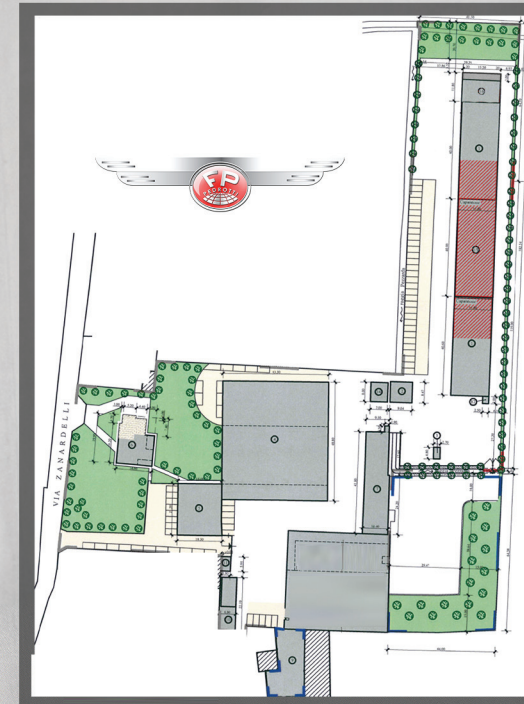
Factory courtyard - mobile PTO grain dryer





OUR FACTORY

A PART OF THE NORTHERN BUILDINGS OF OUR FACTORY, LOCATED IN **MAIRANO (BS), ITALY**



Photographic image

Our factory stands on an area of 20.000 m² divided in working sectors: manufacturing, painting, electric, finishing, storage and shipping areas. The offices and commercial area is in the southern part of the property. It includes a vast green area.

The location is the same as it was in the beginnings, when the first buildings were raised up, around 1950. During the decades the area and the buildings increased in number and construction safety. Nowadays our plant can produce more than 250 dryers per year.

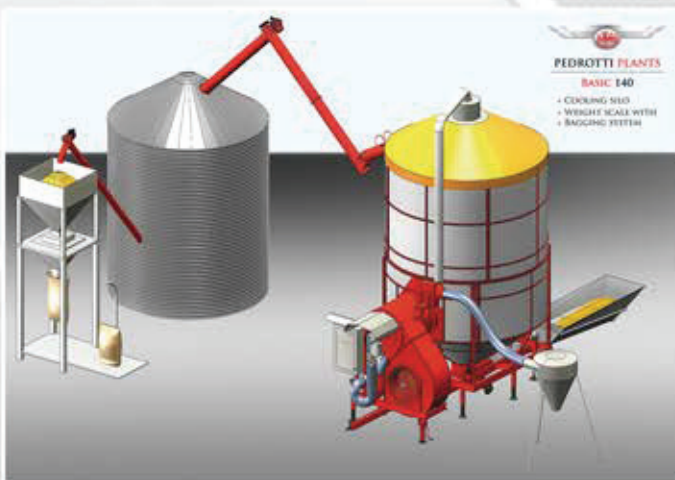


PEDROTTI XL 420

- GRAIN PITCH
- WFT 360
- COOLING 360

FROM THE SINGLE DRYER PLANTS

Our grain dryers have been matched to cooling and storage facilities since the seventies. During the decades the efficiency of our plants improved constantly until nowadays. Now we can join the dryer to cooling silos, elevators, storage silos and bagging devices in a single project, allowing to program the settings and rule everything directly from the dryer's touch screen.



PEDROTTI PLANTS

BASIC 140

- CERAMIC WHEEL
- WEIGHT SCALE WITH
- BAGGING SYSTEM





PLANTS WITH EXTERNAL CONTROL ROOM



MAJOR PRODUCERS PLANTS



PLANTS WITH ELEVATORS SYSTEMS

UP TO THE MULTIPLE DRYERS PLANTS OF **40 TONS/HOUR**

From EU to Russia, Asia, Africa and South America, in sixty years we have sold thousands of machines, from the very small ones up to big plants with multiple automatic grain dryers connected with silos, elevators, discharging and stocking systems.

The plant can be **controlled by a single Pedrotti PLC** and each project is realized with top quality materials and **Hi-Tech, customized and tailor-made solutions, different for each customer's needs.**

Customers care and teleassistance are some of our points of pride.

Having **multiple Pedrotti dryers in a plant** instead of a single continuous flow dryer is a solution that gives many advantages:

1. All the components are **completely automatized** up to an infinite number of batches
2. The consumption of the plant is directly related to the **real seasonal output**, timings and quantities are **modular**
3. The Pedrotti batch grain dryers give the **best possible result in cleanliness, uniformity of the drying process and of the moisture level in all the crops.**
4. You need just one touch to change the settings from a kind of crop to another one with our **pre-compiled crops section** in the control panel, and with the Pedrotti progressive burners you don't need even to change the nozzles or regulate anything on the dryer.

**YOU NEVER ONLY BUY A PEDROTTI,
YOU ALWAYS GET ALL ITS BENEFITS ALONG WITH IT.**



SINGLE DRYERS PLANT



3 DRYERS PLANT + COOLING SILOS



4 DRYERS PLANT + COOLING SILOS



RETRACTABLE SCREENS AND AUGERS

THE **MOBILITY SYSTEM** THAT CHANGED THE BATCH DRYING SYSTEMS WORLDWIDE

During the early 1970s our creation of the retractable screens revolutioned completely the mobile dryer concept since the first model we produced. This would have been the first of our many ideas copied by all the grain dryers producers in the world. All the grain dryers in the world since then started to be manufactured in such a way, making the Pedrotti dryers a global model to be imitated.

In the early seventies infact our creation of winches and of the sliding stairs, along with the folding augers system changed the way of thinking the mobile grain dryers, that for the first time became mobile also in the large sizes and movable by tractors on the roads.

A revolution for the contractors and for everyone who needed more mobility from farms to fields, that nowadays has become a worldwide standard.

The implementation of dryers brakes connected to the tractor hydraulic system, flashing road lights, and certified type - approval of machines in all the UE territory.



THE FIRST RETRACTABLE MOBILE GRAIN DRYERS



CONTEMPORARY MOBILE GRAIN DRYERS - ESTONIA



MOBILITY

RADIO - CONTROLLED HYDRAULIC LIFT OPTIONAL



PEDROTTI. WHEREVER YOU WANT TO DRY,

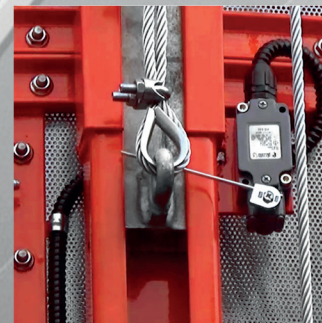
This is the perfect solution for every contractor who needs to move his machine from a farm to another. In a very short time the grain dryer is ready to work or to be driven on the roads till the next stop.



The auger system and the screens will be lifted up or down just with the pression of a button. Furthermore an electronic safety device grants that the controlled parts move only when requested.



A strong hydraulic stroke lifts the upper part of the central auger in a fast and smooth way. A limit sensor precisely stops the movement when the parts fit perfectly one to each other.



A series of sensors grants all the safety needed and the strenght of the mechanical drive is granted by a simple connection to the tractor itself.

Check our Radio-controlled hydraulic lift video on our website: www.pedrottisrl.it or on our Youtube channel: *Pedrotti Grain Dryers*





VERSATILITY AND PRECISION ON ALL CROPS AND OLEAGINOUS



Pedrotti dryers can be used for all kinds of grain, besides soybeans, sunflower, oilseed rape, peas and beans. There is also a specific range for the paddy rice drying process: this is a very fragile cereal that needs special attention during the whole process, lower and more constant drying temperatures and longer timings.

The extreme stability and precision in heating temperatures and the absolute uniformity in the moisture level of the dried crops, allow our dryer to work with mostly all kinds of grains and oleaginous.

The movimentation of the crops inside the dryer bin can be made both by internal augers systems and by external elevators, in order to grant the maximum delicacy in drying treatment even on the softer kinds of seed.

Regarding the oleaginous, highly flammable seeds such as oilseed rape and sunflower, the risk of fire is practically not present in our dryer due to the stability of the burners, the overheating alarms and the Driving Line Control sensor, that check constantly the proper moving of all the grains.

CORN



PADDY RICE



WHEAT



SOYBEANS



BARLEY



OILSEED RAPE



SUNFLOWER



BEANS



PEAS



RYE



OATS



SORGHUM



LINSEED



HEMP SEEDS



VINEGRAPE SEED



QUINOA



MILLET



OTHERS





NEXT CHAPTER:
STRENGTH AND DURATION





PEDROTTI PULLEYS SYSTEMS

THAT'S WHY WE LAST SO LONG

Since the early eighties it became clear to us that the chain systems and the direct connections to the central auger with shafts and square reducers were too stiff systems.

Grain drying is a tough job and it requires strenght, control and more than everything, flexibility.

When the moisture level is high the weight of the crops increases and the stress on the mechanical junctions between the engine and the auger can become unbearable by stiff connections, subjected to constant wearing through time.

Belts are different, in the cases of massive stress on the augers they just slip on the pulleys and continue working anyway. In the case of giant machines, dealing with enourmous crop weights, we give as an optional an external pulley reductor, that avoids even the slightest slipping of the belts.

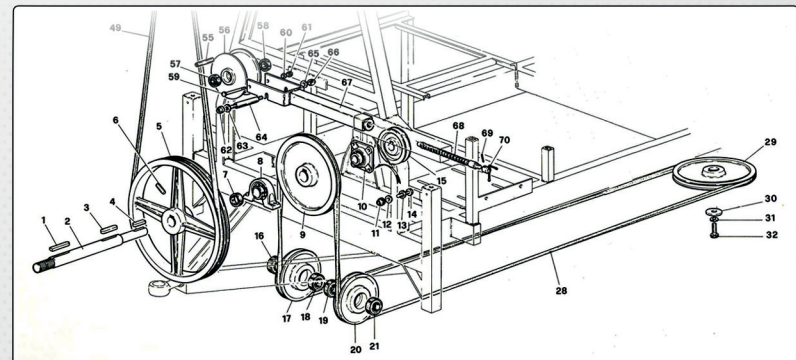
When a bottom square gear or a ring gear breaks up on a grain dryer usually the dryer is full and fixing it is very difficult due to its positioning and its mechanical connections; more than this is a very expensive procedure.

While changing a belt is as fast as you can imagine, grants a huge saving in costs, avoids delays during the drying season and prolongues the life of the dryers up to 35 years or even more.

That's why we have chosen pulleys for our dryers so many years ago. But even nowadays this remains a premium level system, and we are proud to be the only manufacturers able to run it on both electric and PTO batch grain dryers.



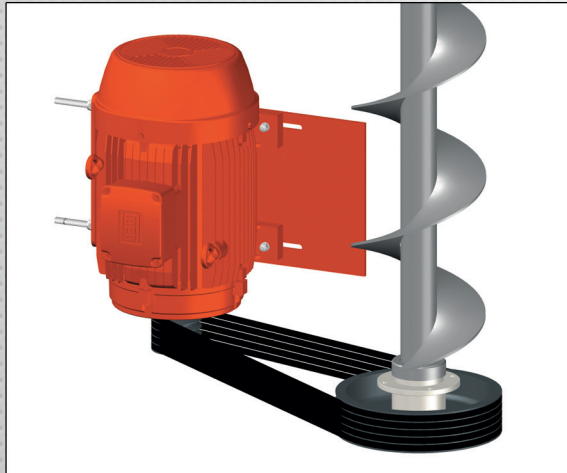
37 years old Pedrotti PTO Grain dryer, still working nowadays



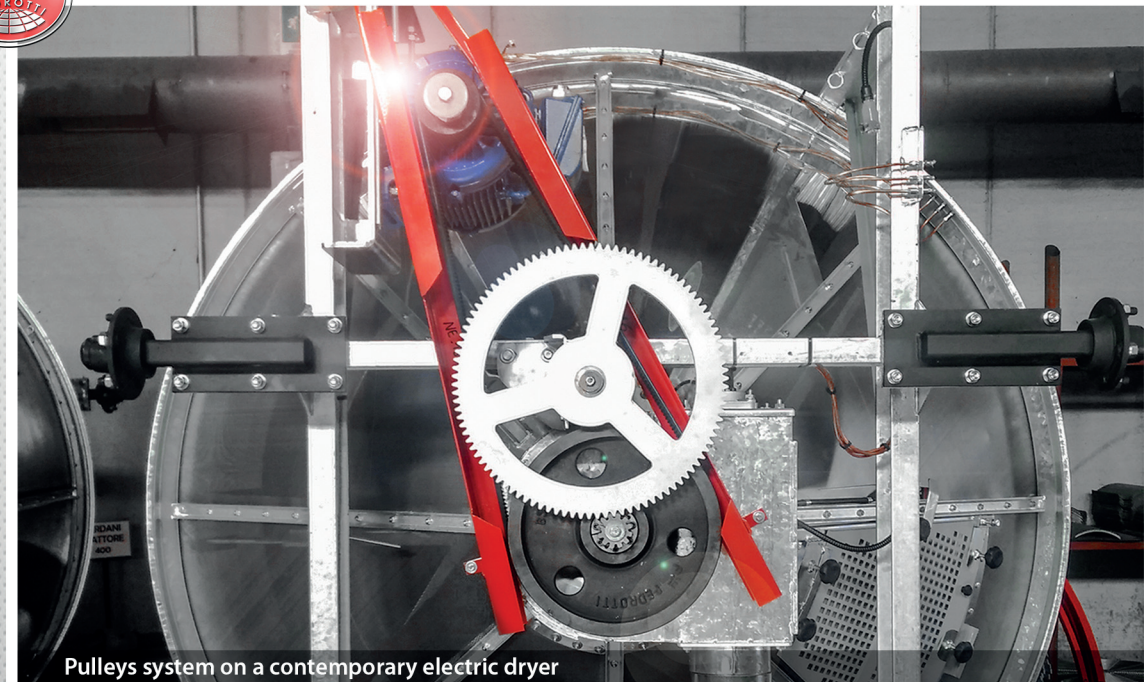
OLD PTO DRYER
PULLEYS AND SINGLE BELT SYSTEM



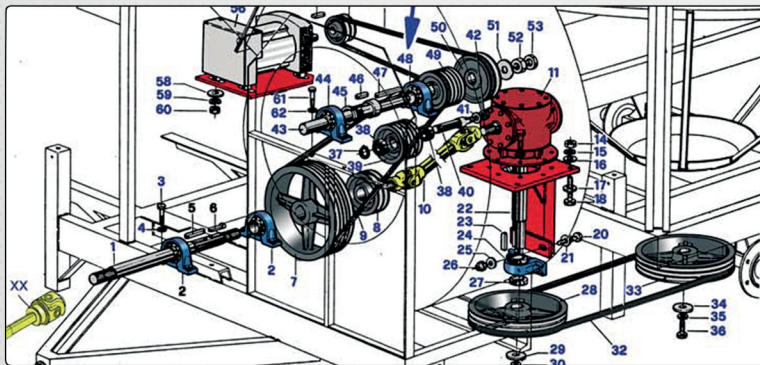
STRENGTH AND DURATION



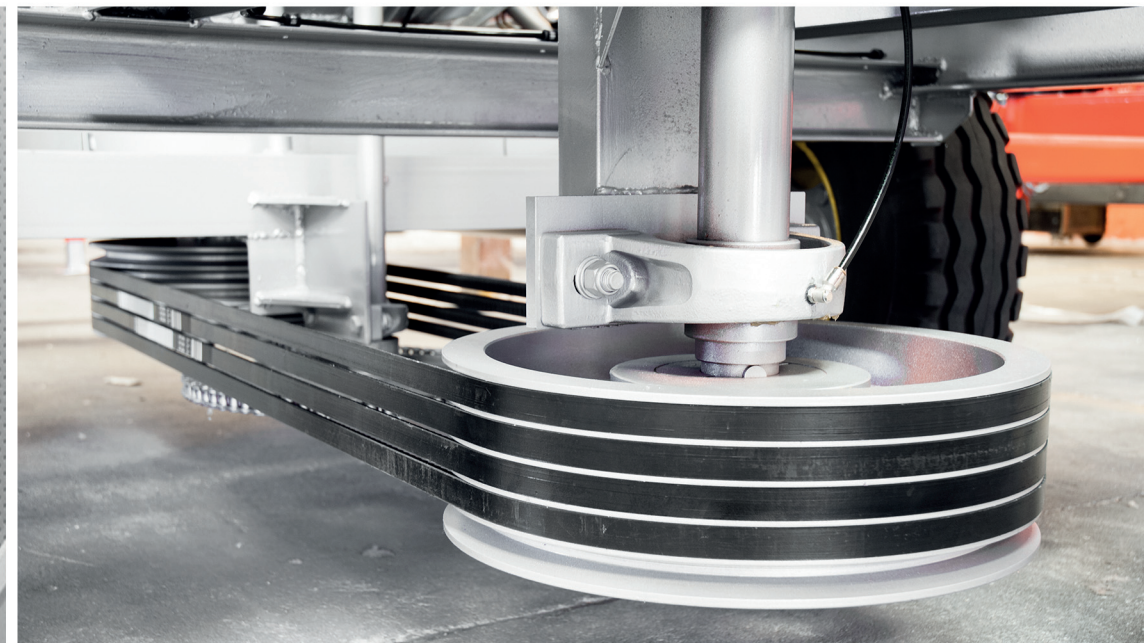
**CONTEMPORARY
ELECTRIC DRYERS PULLEYS AND BELTS**



Pulleys system on a contemporary electric dryer



**CONTEMPORARY PTO DRYER
EXTERNAL GEARBOX, PULLEYS AND BELTS SYSTEM**



Pulleys system on a contemporary electric dryer with external square reductor

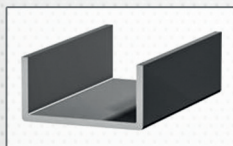


SHAPED TO ENDURE

FRAMES STRENGTH - U PROFILES

All our frames are designed and shaped in a way that grants the maximum strength to all our dryers models.

Manufacturing with U type calendered steel, in fact, consents the longest duration possible for steel frames.



INTEGRAL HOT - DIP GALVANIZED FRAMES

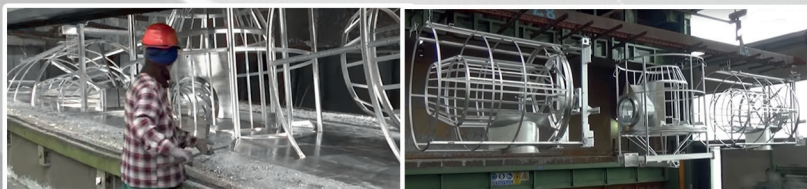
Depending on the dryers series we provide the full hot - dip galvanization of both chassis and frames as a standard or as an optional.

This hot-galvanized frame is an addition to all the other components that we already as standard supply with hot galvanizing (pipe and basin of the loading screw, pipes of the middle vertical screw and others).

The complete galvanization process is done with a full immersion of the frame in a bath of molten zinc at a temperature of around 840 °F (449 °C) giving 1mm more of thickness to all the steel used.

The galvanizing protects steel by acting as a barrier between steel and the atmosphere, keeping your machine protected also in the most extreme conditions.

This Pedrotti dryers frame is completely galvanized, not just assembled with several galvanized parts. This means true quality and duration in time.



FRAMES INSIDE THE ZINC BATH

GALVANIZED FRAMES



FRAMES WITH HOT DIP GALVANIZED CALENDERED U PROFILES



FRAMES WITH PAINTED CALENDERED U PROFILES



THE **HEAT SAVING** COMBUSTION CHAMBER FUNNELS

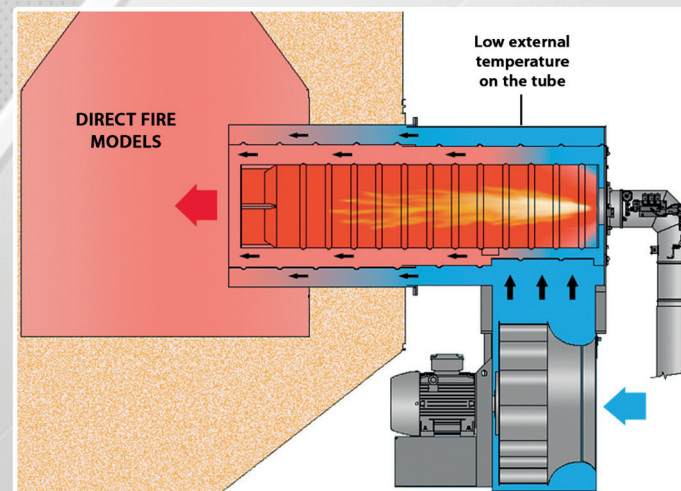
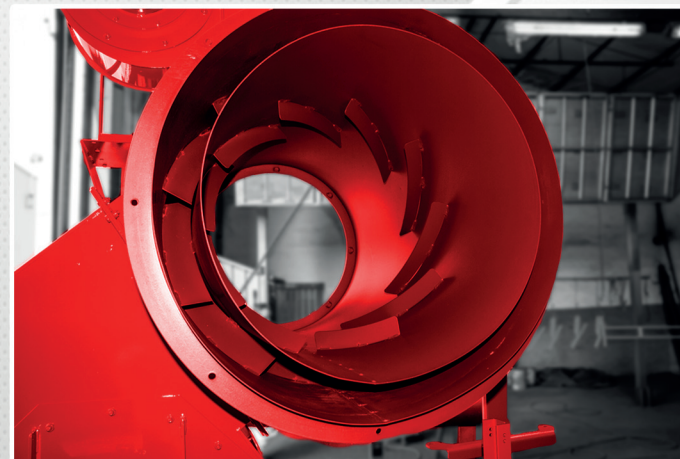
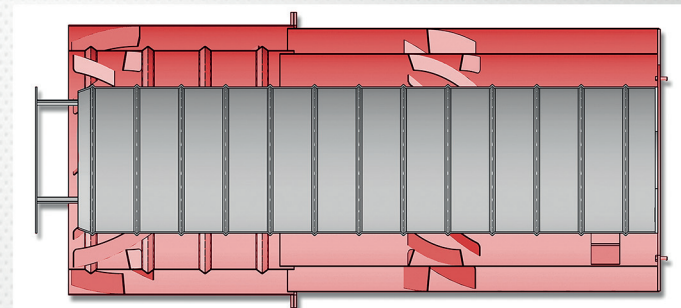
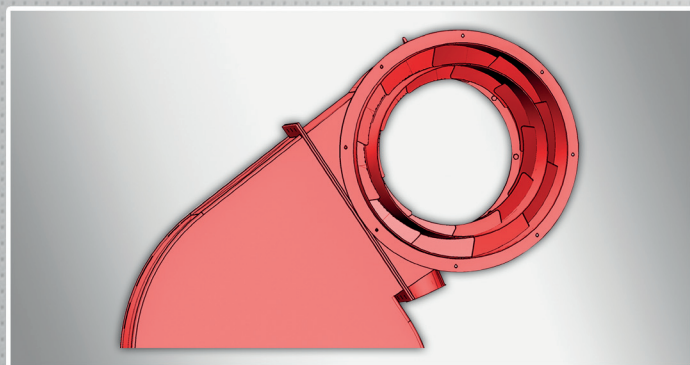
We use special designed combustion chamber funnels to ensure that each calorie produced by the burners goes directly inside the crop, **without any heat loss**. The air coming from the fan divides in two different flowlines, producing a natural separation of each internal chamber funnels, reducing the thermal shocks exposition and granting a longer life to the steel used.

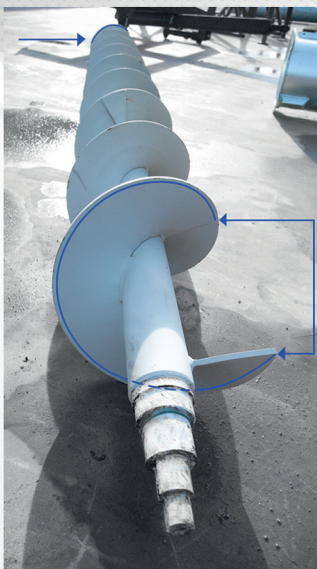
The **internal flaps** consent a perfect flowline inside the funnel, allowing a homogeneous distribution of the air and a **better heat flux**. Furthermore the **4 different internal spirals** increase the air speed, giving to the fan better performances and lower counterpressure.

Since the 1985 both in the heat exchanger and direct fire grain dryer models our choice is to use the **natural insulation of the chamber funnels**.

In this way we are able to guarantee an important safety around the machine, letting the user to touch the external part of the funnel **with bare hands without any burns**.

The heat flowline in both cases remains internal, and there is practically **no dispersion to the outside**. And no heat dispersion means **safety** but also an important **fuel saving**.





HARDOX REINFORCED AUGERS

Instead of increasing the thickness of the central augers, which would increase also the required power of the motor and the electricity consumptions, we prefer to use more hard and noble metals.

Pedrotti dryers have central augers with three different sectors (see the above picture).

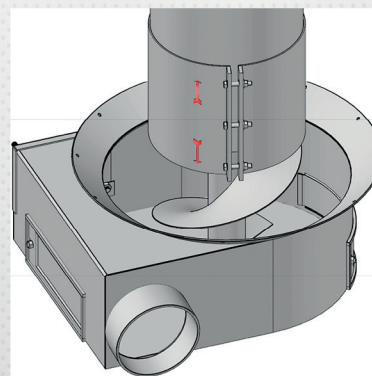
1. Hardox steel segment, thickness 8 mm, 425 min. / 475 max. HBW (Brinell Hardness).
2. Standard carbon steel thickness of the spiral foot is 12 mm and thickness of the spiral ridge is 6 mm.
3. Weld bead on the ridge for one turn around the auger.



HOT-DIP GALVANIZED TUBES

We use for our augers tubes, a Carbon steel C430 (S275J10 EN 10025-2:2004), 4 mm of thickness before being fully galvanized.

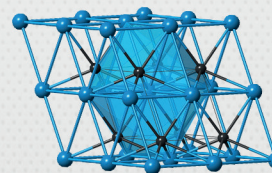
By total galvanization, we give an additional thickness of 1 mm and therefore a longer life.



GALVANIZED ADJUSTABLE COLLARS

The galvanized collar on centre auger tube consents to suit different crops and moistures very easily.

Lifting it up or down it is possible to adjust it according to your specific needs.



TUNGSTEN CARBIDE MOLECULE

TUNGSTEN CARBIDE INFINITE AUGERS

The optional spraying of Tungsten Carbide chemical compound on central augers give an additional long lasting protection to both steel and Hardox segments.

It is impressive how a thin film of this cutting edge material can prolongue the life of augers even with the most difficult and dirty crops. A must have new hi-tech optional.

A close-up photograph of a person's hands holding a smartphone. The person is wearing a red and white checkered button-down shirt. The background is a lush green cornfield with large, vibrant leaves. The lighting is bright, suggesting a sunny day. The smartphone is held horizontally, and the person's fingers are positioned as if they are about to interact with the screen.

NEXT CHAPTER:
ELECTRONICS AND SAFETY



PEDROTTI

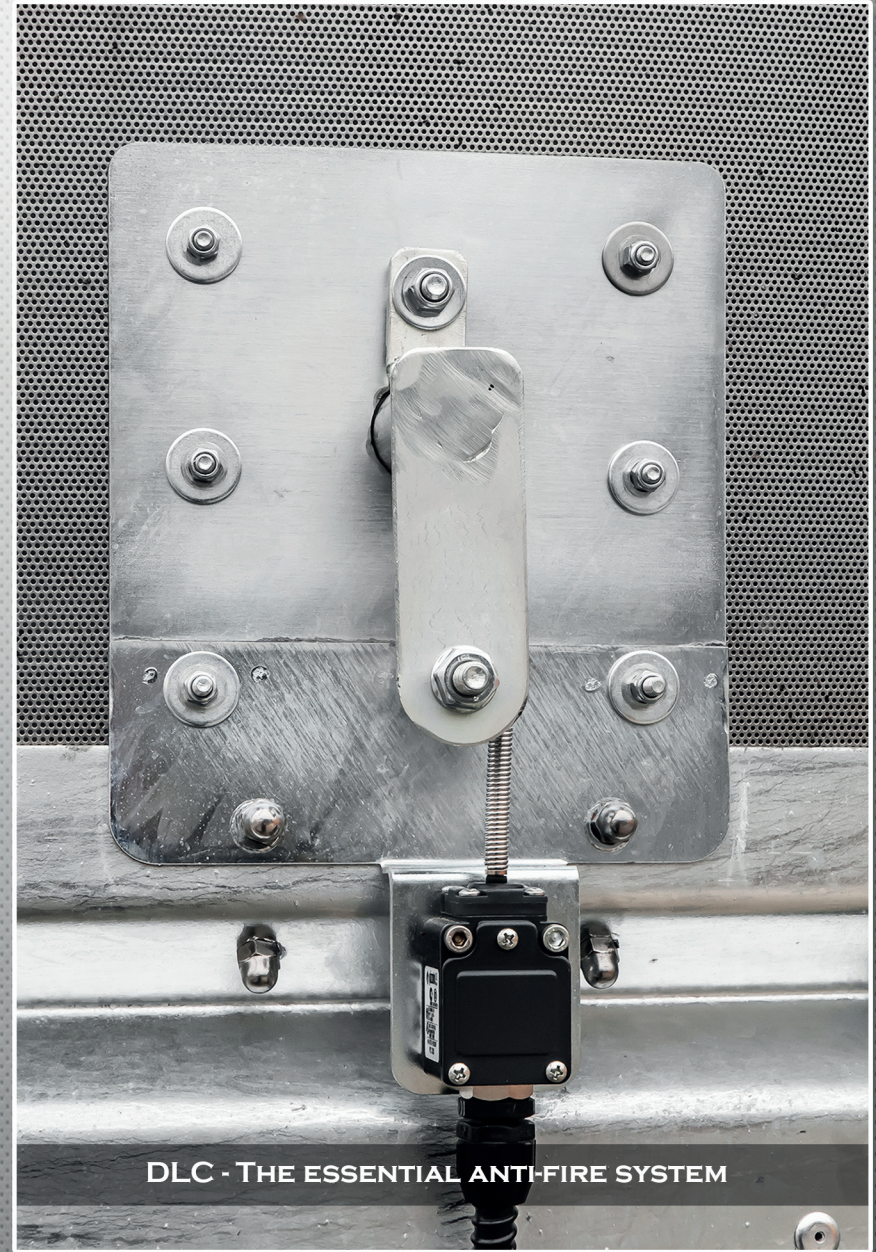
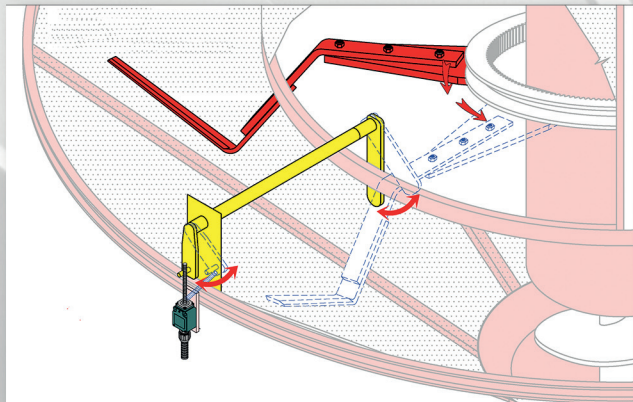
STANDARD SAFETIES

DLC **ANTI-FIRE** ELECTRONIC DEVICE

The DLC (Driving Line Control) senses constantly the **regular movement of the central auger and the agitators inside the machine**, checking the **correct flow of the grains**. Being sure that the crop is constantly moving grants that not a single grain is heated more than it should, avoiding any risk of accidental fire ignition inside the dryer.

A **pendulum** is moved by each passage of the three agitator arms, and sends a **consense signal** to an electronic device. As long as the arms are in regular movement, the burner will continue working, while if it stops for any reason, the flames will **immediately turn off**.

With this system, added to the **overheating safety**, you can be sure to have always your dryer under a **total safe control**.



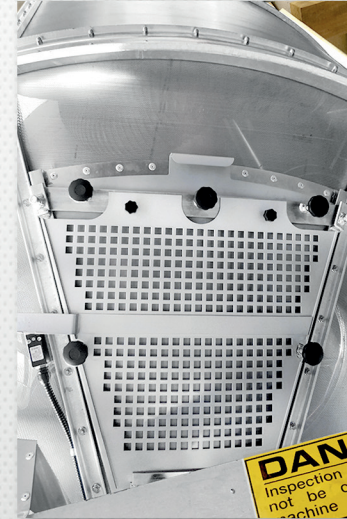
DLC - THE ESSENTIAL ANTI-FIRE SYSTEM



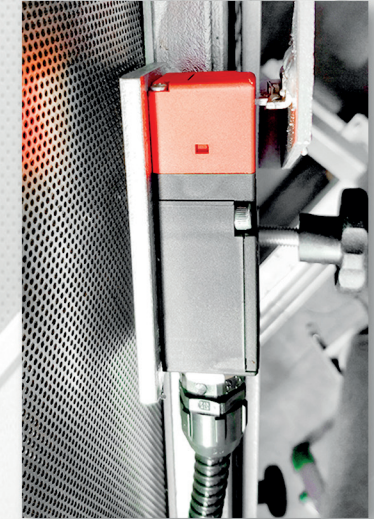
SIEMENS LOGO! and LOGO! TD display



Burner lock-out button case IP 55



Inspection door Safety



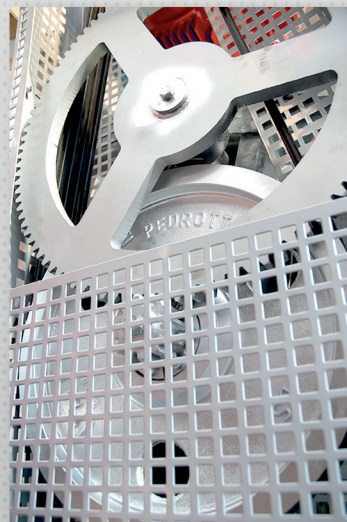
Insp. door electronic sensor

DIGITAL SAFETIES AND CARTERS

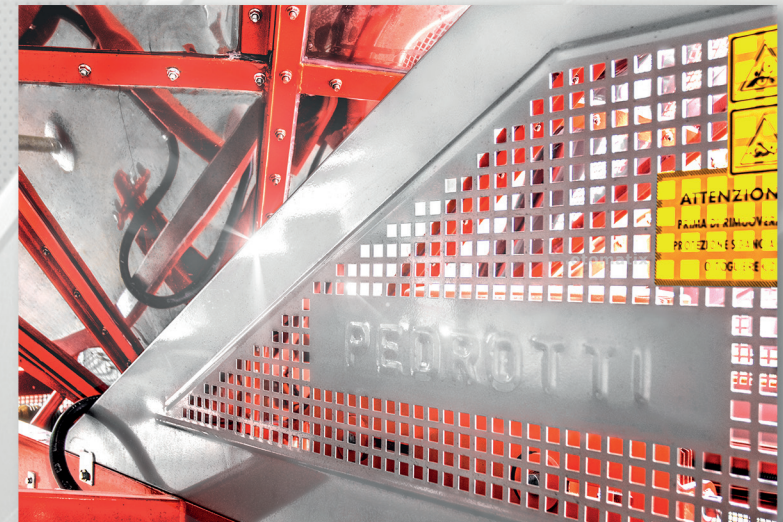
The SIEMENS LOGO! TD is part of our standard dryers features. Ruled by a PLC it controls the burner along with all the moving parts, and grants a perfect functioning of the machine. It provides also an alarm list and warning messages, in order know that your dryers are working properly.

The electronic sensor on the inspection door stops the machine if it opens giving an alarm, for the workers safety and also to be sure that no crop is loss.

And furthermore, all the moving parts in the dryer are protected and do not allow accidental contacts during the working phase.



Pulleys bottom carters



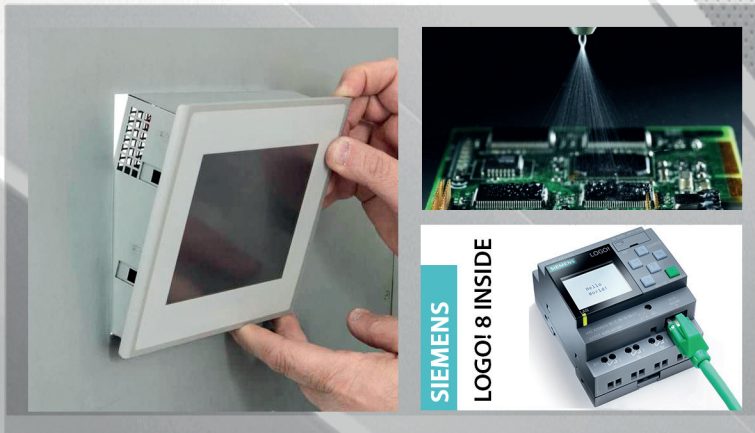
Side Triangular carters



TOTAL CONTROL IN JUST ONE TOUCH



TELEASSISTANCE
REMOTE CONTROL OF TEMPERATURES
COMPLETELY AUTOMATIC 4.0 DRYERS
CUSTOMIZABLE SETTINGS
TAILOR-MADE ON YOUR ON SITE FACILITIES



ALUMINIUM TECH CASE
CONFORMAL COATING ON THE MOTHERBOARDS
SIEMENS LOGO! 8 INSIDE

STAY CONNECTED TO YOUR DRYER WHEREVER YOU ARE



Set and change in REAL TIME the air and crop temperatures from remote devices as you were standing in front of your dryer.

Your personal *html* Control page is reachable from all remote devices: both Android and Apple tablets, phones and computers.

From your device you can:

- 1) Check Alarms and historical records
- 2) Read Email messages from the dryer
- 3) Real time temperatures
- 4) Set and change in Real time Air and Crop temperatures from remote
- 5) Check which engines are on
- 6) Check cooling time and cooling process
- 7) Check the number of working flames



SELECT THE MODALITY THAT YOU PREFER: AUTOMATIC OR MANUAL

The Pedrotti optional Advanced Touch screen allows the user to choose between two different settings: **MANUAL** and **AUTOMATIC**. With the **MANUAL** one you can rule your machine directly, with one button for each engine and component of the dryer. **Total direct control**. On the other hand we provide the chance to use the dryer in **AUTOMATIC** mode: just set your parameters (basic or advanced), the number of required batches and your cooling time. Then press start. **The dryer will automatically perform all the batches required**, from a single batch to the Infinity mode.





USER - FRIENDLY

Pedrotti Advanced Touch screen is born to make easier the setting and the usage of the grain dryers. As it's possible to see, it's very intuitive: from the basic drying up to the advanced drying modes the user is guided hand by hand, reducing the possibilities of human mistakes during the drying and cooling process.



14 PRESETS FOR DIFFERENT CROPS TEMPERATURES SETTINGS

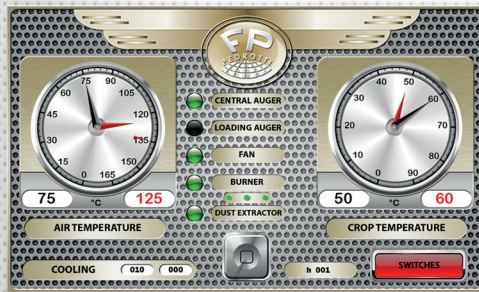
The crop temperatures setting is very easy to reach from the first page displayed when the dryer is turned on. You can choose between 14 factory presets and create your personal ones, it is also possible to switch from one to another easily, and change the temperatures values in every moment. The changes that you apply will remain memorized until you'll decide to change them again or to press the Reset button. You have also a suggested temperatures list in the second Crop page.

Each crop setting includes a target Crop temperature and a working Air temperature, real time controlled by a PLC to be maintained close to perfection in every moment. The values that we use and advice in these pages are the result of many years of practice in the field and experience, and can be considered as perfect standards for each crop.



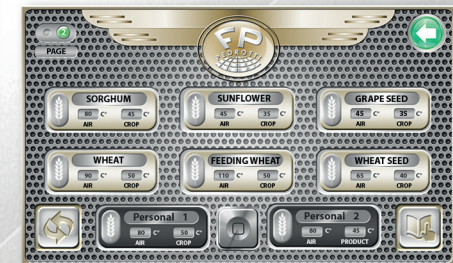
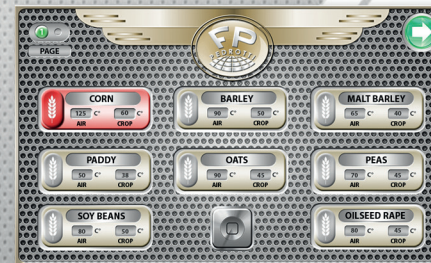
ALL PARTS UNDER CONTROL

A control page is working as a screen-saver: when the touch does not receive commands since one minute, this page appears automatically, displaying all the necessary information to know how the dryer is working and in which working phase it is at the moment.



CUSTOMIZED ON YOUR FACILITIES

All your external facilities such as silos, elevators, conveyors and cooling silos can be ruled directly from the touch screen on the dryer. During the manufacturing of the machine, it is programmed and customized on your drying plant, making it a unique dryer in the world.



PEDROTTI
GRAIN DRYERS SINCE 1958

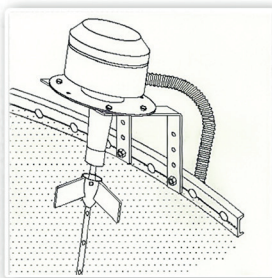




AUTOMATIC MACHINES WITH BASIC TOUCH SCREEN



SIEMENS KTP 700



TOP LEVEL SWITCH PROPELLER DESIGN



SIEMENS LOGO! PLC

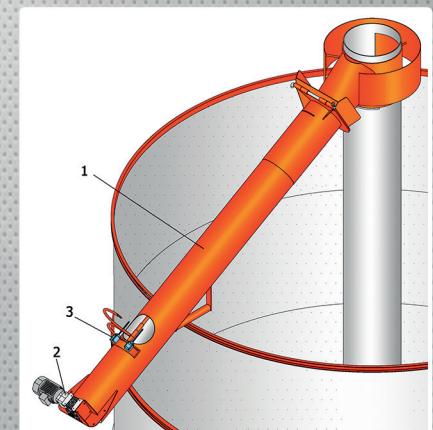
HOW THE AUTOMATIC PEDROTTI DRYER WORKS

Our Automatic optional consents to use the machine in a continuous drying setting. All the actions are performed in six phases by the dryer itself without human intervention.

- 1** **LOADING:** the central and the loading auger start and the wet crop enters the dryer until the top level stops the loading process. The central auger continues moving.
- 2** **FAN START AND DUST EXTRACTION:** When the crop enters in the bin the fan and the cleaning process start automatically.
- 3** **DRYING:** once the top level has given consense to the burner, the drying process begins and goes on until the crop temperature has reached the programmed value.
- 4** **COOLING:** when the drying is over the cooling process immediately starts and stops when the target temperature or time is reached.
- 5** **UNLOAD:** when the crop is cooled down to the stocking temperature, the automatic unload starts.
- ∞** **NEXT LOAD:** When the dryer is empty the loading of the next batch starts automatically and the new wet crop enters the bin.



AUTOMATIC UNLOADING MOTOR



AUTOMATIC UNLOADING TUBE



NEXT CHAPTER:
ORGANIC DRYING





ORGANIC PREMIUM DRYING

PERFECTLY CLEANSED GRAINS FOR
HUMAN CONSUMPTION, SPROUTING,
COSMETICS AND PHARMA LABS



Our grain dryers, when fitted with our compact heat exchangers (see the final section dedicated to optional features) or natural gas burners, have been recognized as perfect for preparing organic cosmetic and pharmaceutical seeds.

A new market has grown astonishingly in the last years, based on lab extraction of active substances from agricultural products. Crops such as oats, pomegranate seeds, hemp seeds, and many others are constantly required from the world's labs due to their rare properties. Along with polyphenols, anti/oxidants, rare vitamins, natural antiseptics, and many other precious, delicate substances are available in crops that pass through a high-quality drying process.



ECO - CHIMNEYS FOR HEAT-EXCHANGERS

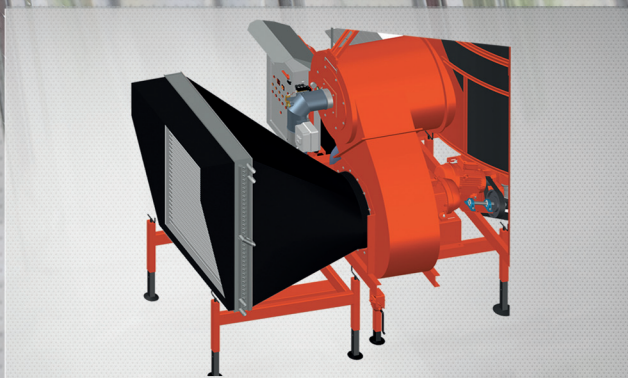
The Pedrotti Eco Chimney is a new device created to save oil consumption from 8% to 18% (accordingly to the environmental conditions) in our dryers fitted with heat exchangers.

The other great advantage this new device provides is a considerable abatement of the output fumes temperature and a consequent increase of their condensation, helping to maintain a cleaner ecological environment. The exhaust fumes are free to evacuate from the top part of the chimney, while the dispersed heat is in an optimal part taken by the two ways spiral heat exchanger surrounding the hot chimney, providing clean hot air to the main fan.



BIOMASS BURNERS

It is possible to fit an external heat-exchanging device heated by a biomass burner on the main fan of our grain dryers. With this configuration, we can fit on our machines powerful burners specifically conceived and designed to burn pellets, wood chips, and in general, all biomass materials. From 300 kW up to 1460 kW.



HOT WATER RADIATORS

We produce pre-heating radiators for farmers who have the availability of hot waters heated by biogas plants or similar methods. A double-flow circuit of hot and cold water heats and cools the dryer, allowing good and stable air temperature intake. As with all the other organic drying devices listed on this pages, it is possible to fit it as a pre-heating in front of the dryer fan, allowing it to provide our burner as a backup heater or as a primary heating device.

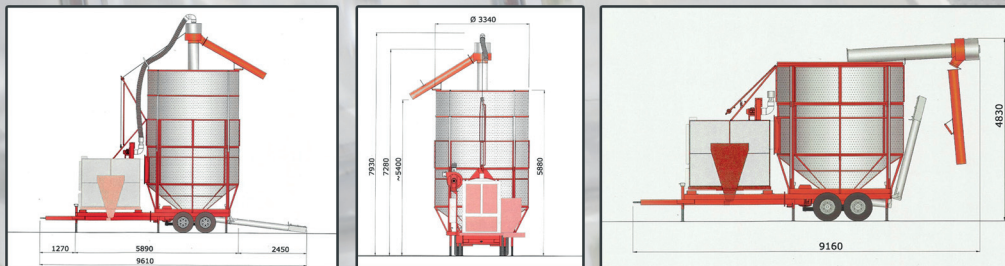


ORGANIC DRYING FURNACE MODEL

NO COMBUSTION RESIDUE



FURNACE WITH INTERNAL HEAT EXCHANGER



FURNACE HEAT EXCHANGER



THE CHEAPEST WAY TO DRY ORGANICALLY

The Organic drying furnace enables the user to burn some of the most economic heat sources, such as coals and wood pieces. Nowadays this is the standard dryer model for Turkish farms dealing with paddy rice, distributed and assembled by our importer and cooperating factory Multigrain AS. A specially designed heat exchanger fitted inside the body of the furnace grants a perfectly clean hot air inlet, free from any combustion residue.

Easy to clean and user friendly, this furnace has reached a high standard in the heating exchanging process, with a system of three fans that allows a well-balanced air recirculation inside the dryer.

As for all our organic drying device, it is also possible to fit the furnace on the dryer as a stand-alone feature or as a secondary heating source, combined with our burners to get high temperatures performances.



NEXT CHAPTER:
OUR GRAIN DRYERS



BASIC RANGE



ø 2.5 m / 3.0 m
FROM 8,5M³ TO 19M³

BASIC RANGE

ALL YOU NEED IN A SMALL SPACE

The Basic range represents the first step in getting to know the wide range of Pedrotti dryer models. The Basic is the lowest range for the loading capacity, and the daily outputs of each model included in this range are concerned.

The BASIC models are the right choice for modern farms that intend to dry their products internally, thus allowing for direct control of the final quality obtained.

Each dryer model has reduced dimensions, is easy to move during the drying season, and can be easily stored in an adequate place at the end. The maximum daily output (24 hours) observed in the Basic range is about 60 tons; such a figure can obviously vary according to the kind of products to dry.

This said, apart from their dimensions, there is no other difference between the Basic range and bigger models with which they share the same mechanical soundness and reliability, maximum energy efficiency, and outstanding durability that are the hallmarks of the Pedrotti brand.



PEDROTTI Basic 55 PTO

BASIC RANGE

Technical Specifications

Model	Height in transport position mt.	Height in working position mt.	Width mt.	Total length working (rest) mt.	Power required Kw (PTO drive HP)	Batch Capacity maize A.W. 0,70	Average daily output-maize moisture from 28% to 14% (Ton)
Basic 55	Not Telescopic	4.70	2.50	7.80 (4.95)	13 (35)	8.5 mc. 5.5 ton.	25
Basic 90	Not Telescopic	6.20	2.50	7.80 (4.95)	15 (50)	12 mc. 9 ton.	35
Junior 120	4.10	7.10	2.50	7.70 (5.00)	18 (50)	17 mc. 12 ton.	42
Basic 140	Not Telescopic	6.60	3.00	7.75 (5.35)	20 (65)	19 mc. 14 ton.	55

rice



wheat



barley



oilseed rape



corn



soybeans



sunflower



beans



peas



sprout seeds

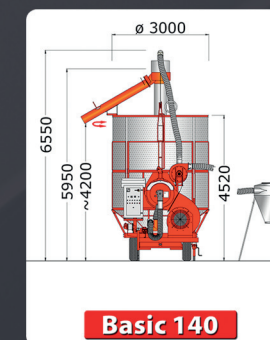
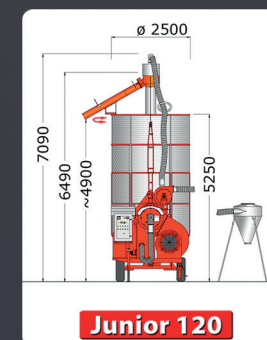
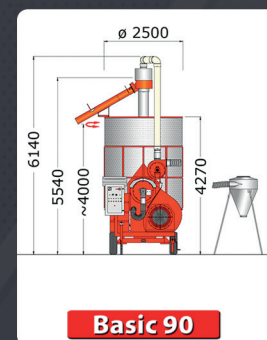
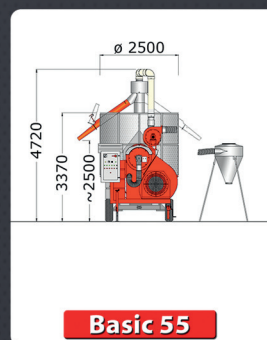


Main crops dried with this range

PEDROTTI BASIC RANGE

SPACE SAVING, VERY EASY TO INSTALL, MINIMUM POWER REQUIRED.

SOLID, SAME MECHANISMS AS BIGGER MODELS IN ORDER TO GUARANTEE HIGH MECHANIC RELIABILITY.



SUPER RANGE



Ø 2.5 m. - Ø 3 m.
FROM 14M³ TO 23M³

SUPER RANGE

A PERFECT MIX OF POWER AND EFFICIENCY

The SUPER range is the best-selling product in the history of Pedrotti Dryers. Over time we have manufactured, tested, and delivered more than 4,000 machines that are part of this range, both in Italy and worldwide. This result, which represents a reason for satisfaction and pride, demonstrates how the SUPER content has been highly valued by our customers, who continue to appreciate their features to date.

The SUPER range shares the ideal sizes with the Basic range for ensuring easy transport and reduced space requirements. Furthermore, they are telescopic and are equipped with retractable screens and a central screw conveyor, which can be folded during transport. The equipment size, such as screws, fan, and burner, makes them different, which are all upgraded and highly efficient.

The higher level of performance in the output offered by the SUPER range, as well as the possibility to fold all the models during transport, make it especially suitable for those providing outsourcing services. Those customers need to move frequently and maximize the dryer's productivity, even in products that are particularly difficult to treat, such as soybean and very wet corn.



PEDROTTI SUPER 120

SUPER RANGE

Technical Specifications

Model	Height in transport position mt.	Height in working position mt.	Width mt.	Total length working (rest) mt.	Power required Kw (PTO drive HP)	Batch Capacity maize A.W. 0,70	Average daily output-maize moisture from 28% to 14% (Ton)
Super 100	4.10	6.60	2.50	7.70 (5.05)	23 (65)	14 mc. 10 ton.	45
Super 120	4.10	7.10	2.50	7.70 (5.05)	23 (65)	17 mc. 12 ton.	50
Super 160	4.20	7.10	3.00	7.75 (5.45)	30 (70)	23 mc. 16 ton.	70
Super 200	4.20	7.20	3.00	8.23 (5.94)	30 (70)	27 mc. 20 ton.	75

corn



wheat



soybeans



barley



oilseed rape



rice



sunflower



beans



peas



sprout seeds



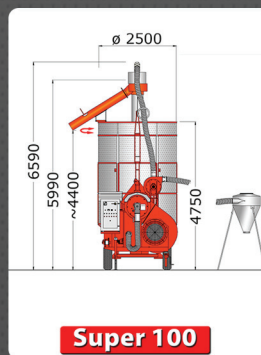
Main crops dried with this range

PEDROTTI SUPER RANGE

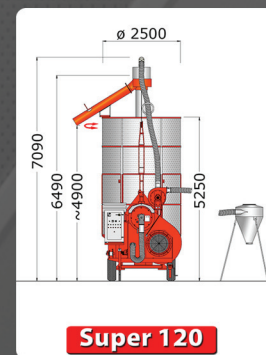
SCREW CONVEYOR

ENHANCED AND EFFICIENT FAN AND BURNER.
LIMITED DIMENSIONS, PRACTICAL AND EASY TO MOVE.

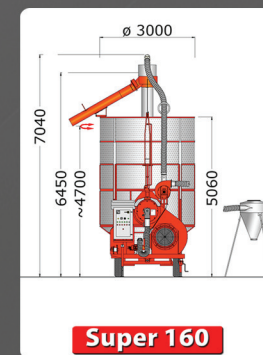
THE MODELS OF THIS SERIES SEEM TO BE PERFECT FOR USERS WHO NEEDS TO MOVE FREQUENTLY.



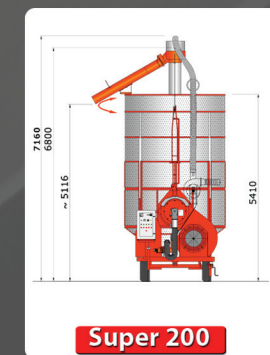
Super 100



Super 120



Super 160



Super 200

LARGE RANGE



ø 3.35 mt.
FROM 23M³ TO 43M³

LARGE RANGE POWER, EFFICIENCY, BALANCE

The LARGE range consists of robust and reliable models which ensure daily output varying from 100 to 150 t, according to the product to be dried.

They are recommended for medium-size farms that intend to carry out the drying process directly and keep their products' quality under control. Furthermore, when bought and equipped with automatic functions, these models may be inserted in non-stop drying cycles, thus allowing the most modern farms to optimize their production.

All the dryers included in the LARGE range have a high-speed loading that guarantees the best performance, together with the fan and the high-performing burner.

The models included in this range are still the most sold and appreciated. This is because they perfectly represent the production philosophy of the Pedrotti brand: power and efficiency, solidity and durability, balance and safety.



PEDROTTI LARGE 300

MID/LARGE RANGE

Technical Specifications

Model	Height in transport position mt.	Height in working position mt.	Width mt.	Total length working (rest) mt.	Power required Kw (PTO drive HP)	Batch Capacity maize A.W. 0,70	Average daily output-maize moisture from 28% to 14% (Ton)
-------	----------------------------------	--------------------------------	-----------	---------------------------------	----------------------------------	--------------------------------	---

Large 200	4.85	7.50	3.35	8.20 (6.85)	35 (80)	28.5 mc. 20 ton.	100
Large 240	4.85	7.90	3.35	8.20 (6.85)	35 (80)	34 mc. 24 ton.	120
Large 270	4.85	8.30	3.35	8.20 (6.85)	35 (80)	38 mc. 26 ton.	135
Large 300	4.85	8.50	3.35	8.20 (6.85)	45 (90)	40 mc. 30 ton.	150

corn



wheat



soybeans



barley



oilseed rape



rice



sunflower



beans



peas



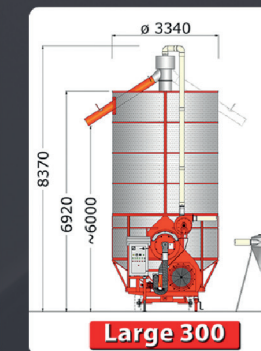
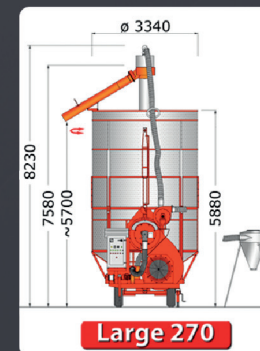
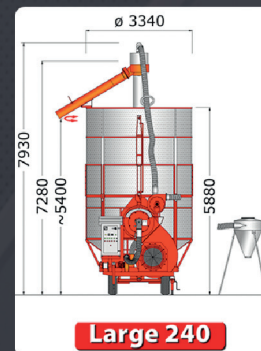
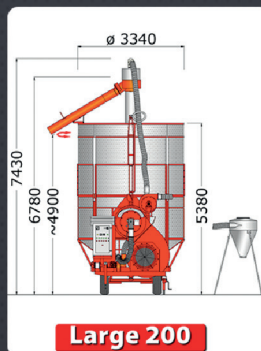
oats



Main crops dried with this range

PEDROTTI LARGE RANGE

THE LARGE SERIES IS COMPOSED OF POWERFUL AND RELIABLE MODELS THAT OFFER THE MAXIMUM POWER IN ITS COMPACT DIMENSIONS. THEY HAVE HIGH-SPEED LOADING; THEY ARE THE MOST APPRECIATED AND SOLD.



XL RANGE



Ø 4 m. - Ø 4,5 m.
FROM 45M³ TO 75M³

XL RANGE GIANTS IN OUR FAMILY

The XL range is composed of models which can satisfy the needs of modern, dynamic, and large-size farms. They are robust and reliable and offer a daily output greater than 200 t.

Their dimensions make the XL models more suitable to be placed in fixed working stations, to be the real brain of the completely computerized drying cycles; they can reach the top level as far as efficiency and quality are concerned.

The wide range of optional accessories designed and offered by the Pedrotti brand makes these giants highly customizable to meet more specific needs and requirements. Moreover, the product's final quality at the end of the drying cycle is simply fantastic, even for products like delicate paddy rice!

XL 320, XLM 350, XL 400, XL 420, and XL 500 are requested and sold more and more in Italy and worldwide for drying any cereals or oily seeds. These models spell out our most recent successes, our big mechanical tradition, and the future ambitions of the Pedrotti brand, which has been the drying leader for more than 50 years.



PEDROTTI XL 700

XL RANGE Technical Specifications

Model	Height in transport position mt.	Height in working position mt.	Width mt.	Total length working (rest) mt.	Power required Kw (PTO drive HP)	Batch Capacity maize A.W. 0,70	Average daily output-maize moisture from 28% to 14% (Ton)
XL 320	Non telescopic	6.80	4.00	9.20 (7.20)	70 (120)	45 mc. 32 ton.	150
XLM 350	5.40	8.70	4.00	9.60 (8.80)	70 (130)	50 mc. 35 ton.	150
XL 400	Non telescopic	8.90	4.00	9.20 (7.20)	70 (120)	57 mc. 40 ton.	170
XL 420	Non telescopic	9.30	4.00	9.20 (7.20)	70 (120)	60 mc. 42 ton.	180
XL 500	Non telescopic	9.80	4.50	9.50 (7.50)	90	75 mc. 55 ton.	190
XL 700	Non telescopic	11.25	4.50	9.50 (7.50)	90	100 mc. 70 ton.	240

corn



rice



wheat



soybeans



barley



oilseed rape



sunflower



beans



peas



sprout seeds



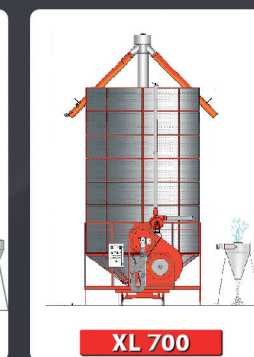
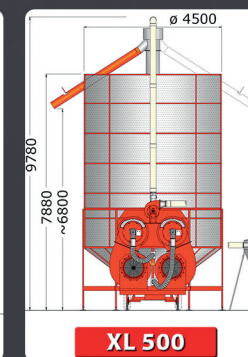
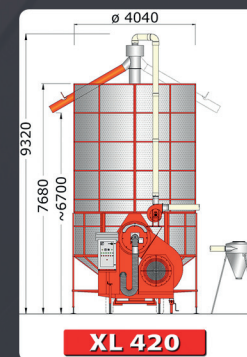
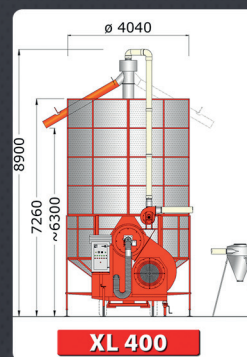
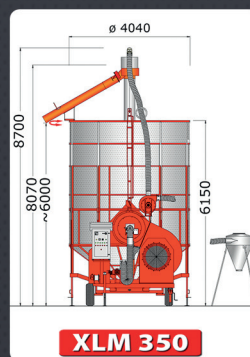
Main crops dried with this range

PEDROTTI XL RANGE

XL SERIES IS THE TOP OF THE PEDROTTI MODELS.

THEY ARE THE GIANTS OF THE FAMILY, THE MOST POWERFUL AND HIGH-PERFORMING MODELS.

THEY HAVE BEEN CONCEIVED FOR THE MOST MODERN AND WIDESPREAD FARMS. MORE AND MORE DEMANDED AND SOLD.



TWINSKIN RANGE



Ø 2.5 m. - Ø 4,5 m.
FROM 19M³ TO 75M³

TWINSKIN RANGE BEST RESULTS AND BEST CLEANLINESS

We have chosen to meet our customers' requirements in the need of completing drying processes carried out in enclosed environments which are to be kept completely clean. That is the reason why we conceived our Pedrotti TWINSKIN range.

The models belonging to this range are covered with a total casing which assures an unparalleled cleanliness of the location.

Twin Skin dryers can suck and channel all the dust produced by both the drying cycle and the cereal cleaning onto a prearranged storage area.

This is the ideal choice for plants to be installed indoors. Moreover, in a situation in which agriculture must more and more conform with the needs of the near urban centres, the total casing of Twin Skin models allows to minimize the inconveniences caused by the volatility of the dust and waste produced during drying processes.



PEDROTTI XL 500 TWINSKIN



DUST AND WET AIR OUTPUT

All the dust collected by the dryer is sent outside the building in several cyclons, leaving the work place perfectly clean and tide. The outlet of exhaust and wet air is pushed as well through an outer conveyor.

rice



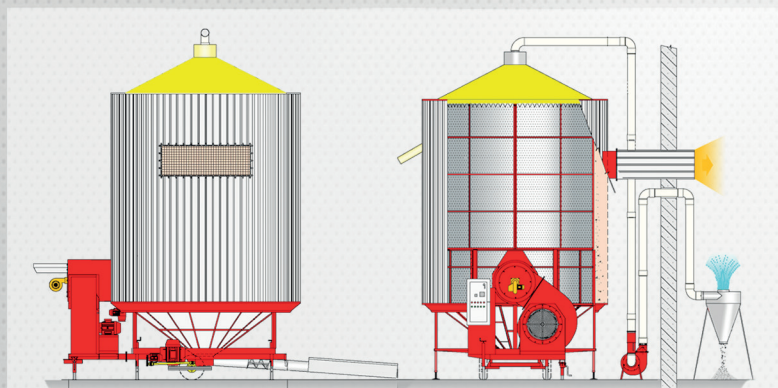
wheat



barley

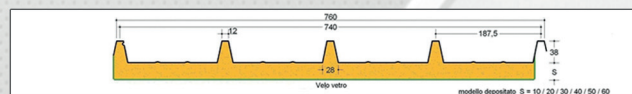


sprout seeds



EXTERNAL INSULATION

The dryer is completely covered by a Uniterm external insulation, made in non-hygroscopic and self-extinguishing polyurethane. The dust is extracted in two complementary ways: through the dust extractor head on the top and through a circular auger placed at the bottom of the dryer. All of them convey the dust to external cyclones.



PEDROTTI TWINSKIN RANGE

ALL WHAT YOU COULD NEED TO TREAT WELL THE MOST PRECIOUS OF GRAINS. PEDROTTI DRYERS PRAISES OVER 40 YEARS OF EXPERIENCE IN PADDY RICE DRYING. THIS IS THE PERFECT INDOOR DRYING SYSTEM.



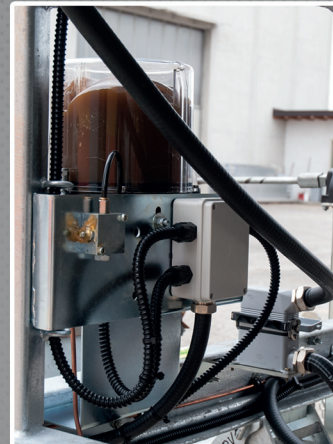


AUTOMATIC LUBRICATION SYSTEM

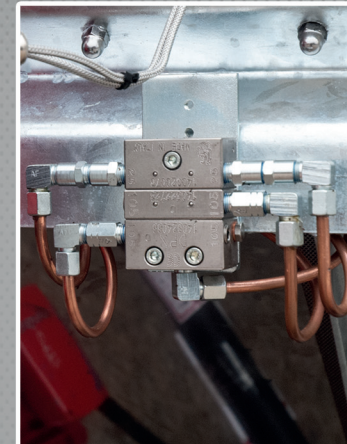
A PERFECTLY
GREASED
GRAIN DRYER IS A
MACHINE
ALWAYS
READY TO WORK.



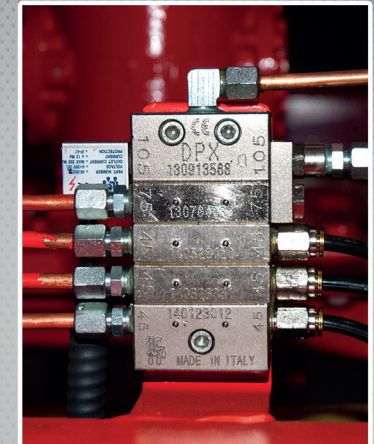
LUBRICATION PUMP
FRONT SIDE



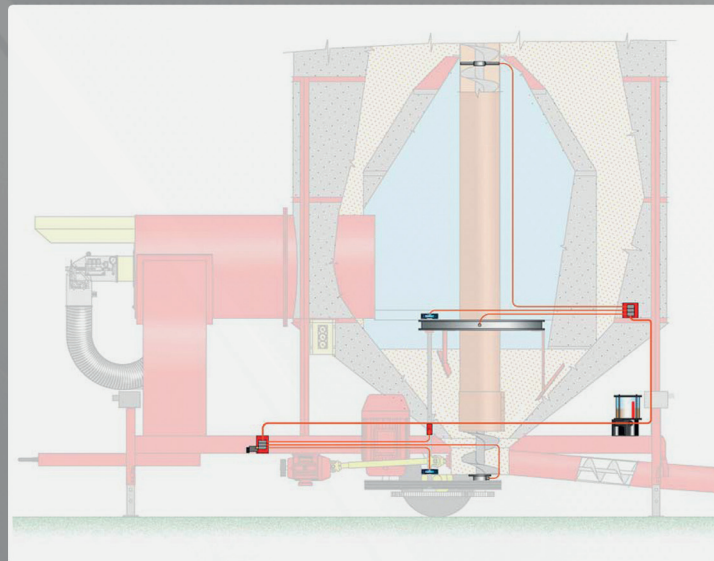
LUBRICATION PUMP
BACK SIDE



GREASE DISPENSERS



GREASE DISPENSERS



This new system assures autonomy for about **400 hours** of effective work on PTO machines and about **600 hours** on electric machines. The system consists of the following components:

- An electric pump coupled with a 4-5 Kg grease tank (1);
- A range of grease dispenser measuring devices (2);
- A sensor that detects when the grease has passed through (3).

The interval between each pumping is regulated and arranged by the operators in the factory and the program is recorded on a PLC unit placed in the control electric panel. The program can be easily modified at any time.

The dispenser and the measuring devices distribute the right quantity that the pump delivers in proportion to each of the organs that have to be greased.

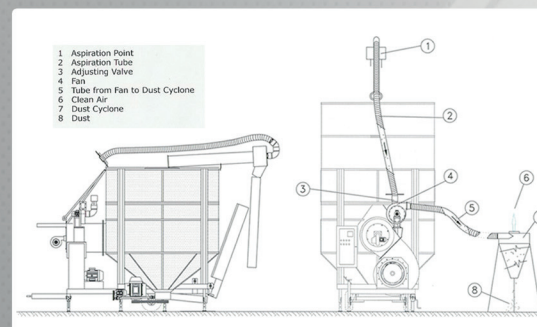
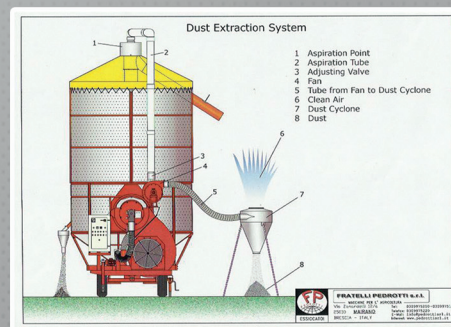
An electric sensor controls the passage of the grease and stops the pump. It is possible to install the system also on machines that originally were equipped with the traditional lubrication system.



DUST EXTRACTION DEVICE

A PROPER CLEANING FROM DUST AND DIRT GIVES A **PREMIUM FINAL PRODUCT.**

A CLEANSED CROP BECOMES A **VALUED CROP**, READY TO BE USED AND SOLD.



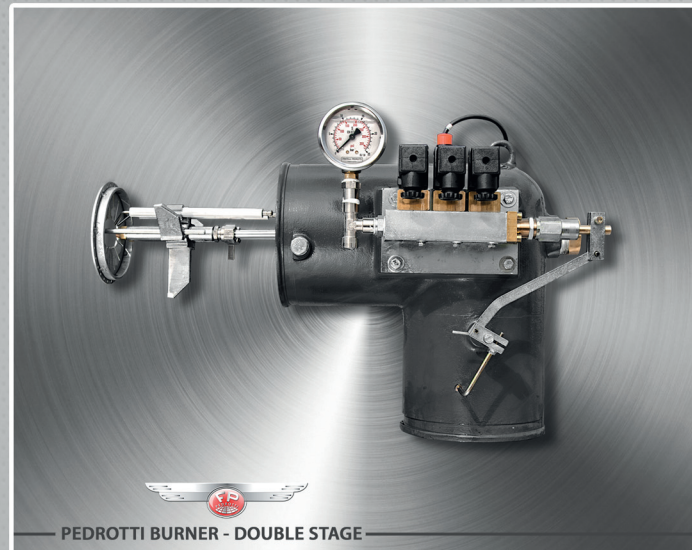
During the 90's our creation of a new concept of dust extraction by aspiration transformed the grain cleaning process. With our original Dust extractor device the grain dryer output consists of very clean crops, furthermore allowing to work in a space cleansed from the main part of the dust. The aspiration amount can be regulated by an apposite adjusting valve, letting the user decide how much dust removal is needed on each specific crop.





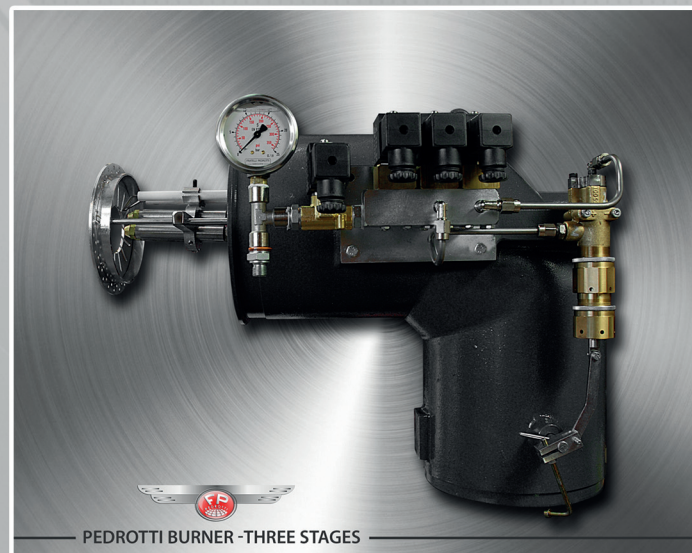
PEDROTTI PROGRESSIVE BURNERS

OUR BURNERS
IMPROVED DURING
DECADES,
ALONG WITH
OUR MACHINES AND
OUR **EXPERIENCE.**



OWN MANUFACTURED BURNERS

We only manufacture the Pedrotti diesel burners in our own factory to be able to control each passage during their assembling and test phases. In order to have the perfect heating device for the different needs of the final customers we produce two different models, with different powers and fuel consumptions. Depending on the dryer model and on the kind of crops to be dried in fact, there are specific power requirements to be fulfilled. Furthermore our burners are the only heating source that we couple with our inox heat exchangers, forming an unique perfectly calibrated heating device. After many years we consider this as the best solution, in our experience, to dry crops with diesel.



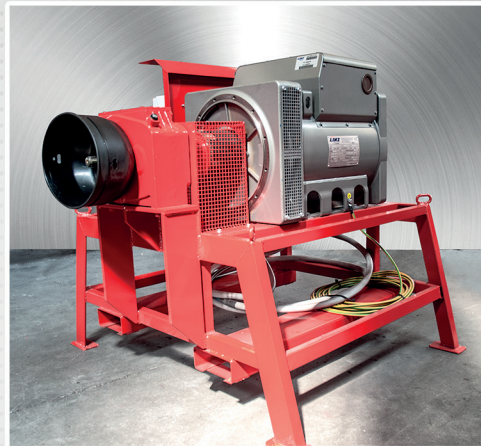
PLC CONTROLLED BURNERS

The PLC unit enables our burners to work from minimum to maximum delivery fully automatically until complete switch off and renewed automatic switching on, if necessary. This system makes it possible to use the dryer with different products requiring varying and very different drying temperatures, without needing to replace or regulate the burner nozzles. This operation is generally considered difficult and critical by those using grain dryers. When burners are progressive the operator has only to set the drying air temperature on the control panel for the crop that he wants to dry. The PLC unit has also two high safety standards: a STAND-BY level (+5°C Over Target Setting) and an OVERHEATING level (+10° C O.T.S.) to avoid accidental damages to the crop, and even its fire ignition that have always been one of the most dangerous cases in the drying operations.



TWIN DRIVE POWER PACK

THE PERFECT
SYSTEM FOR **FARMS**
WITH ISSUES OF
UNSTABLE
ELECTRICITY
SUPPLY.



GENERATOR FOR ELECTRIC DRYER



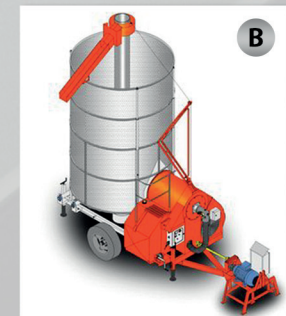
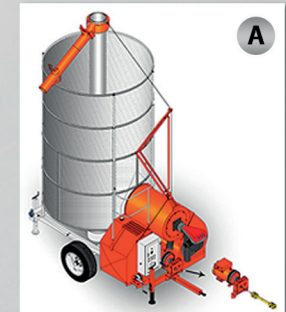
MOTOR FOR PTO DRYER

As for driving, our dryers are normally realized to be driven by electric motors or by the PTO of a tractor. One system excludes the other one.

Since the 2009, for customers who need both systems on the same machine, we suggest and offer the option to supply, in addition to the machine electric drive, one generator set (Power Pack) correctly dimensioned and complete with its driving gearbox to be driven by the PTO shaft of a tractor. The machine works as a full standard electric drive machine where there is a sufficient electricity to power it. Where this option is unsuitable, the necessary electric power could be supplied via the generator set driven by a tractor. The power pack will supply all the electricity the machine needs to operate.

On the smaller models the generator set can be housed and fixed directly on the machine itself (see drawing A). For the bigger models this options is unsuitable for obvious space reasons, due to the larger dimensions of the generator. For this bigger models the generator set is supplied mounted on its own support frame, ready to be moved by forklift or mounted on axle/wheels.

It is also possible to have an external electric motor to run a PTO dryer by a shaft connection (see drawing B). We do not consider this as the best option anyway, due to the more complex mechanicals of such machines compared to the electric ones.

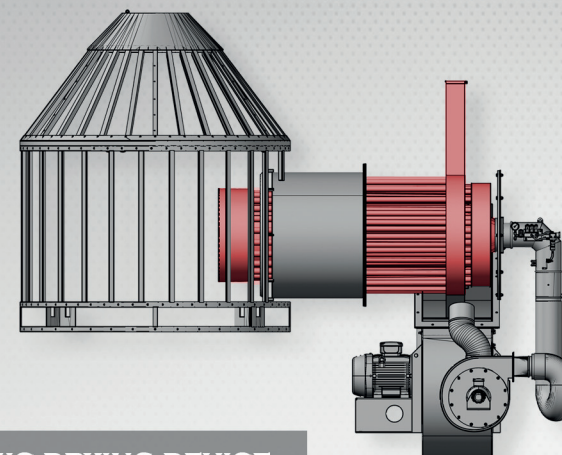
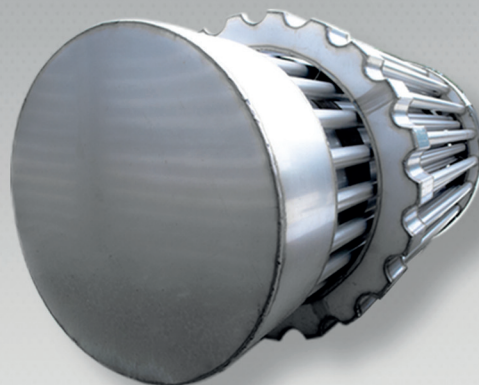




PEDROTTI HEAT EXCHANGERS

INDIRECT FIRE
SYSTEMS ARE STILL
TODAY
THE BEST WAY
TO OBTAIN A
SUITABLE ORGANIC
PRODUCT FOR
HUMAN
CONSUMPTION.

COMPACT HEAT EXCHANGER



THE ESSENTIAL ORGANIC DRYING DEVICE



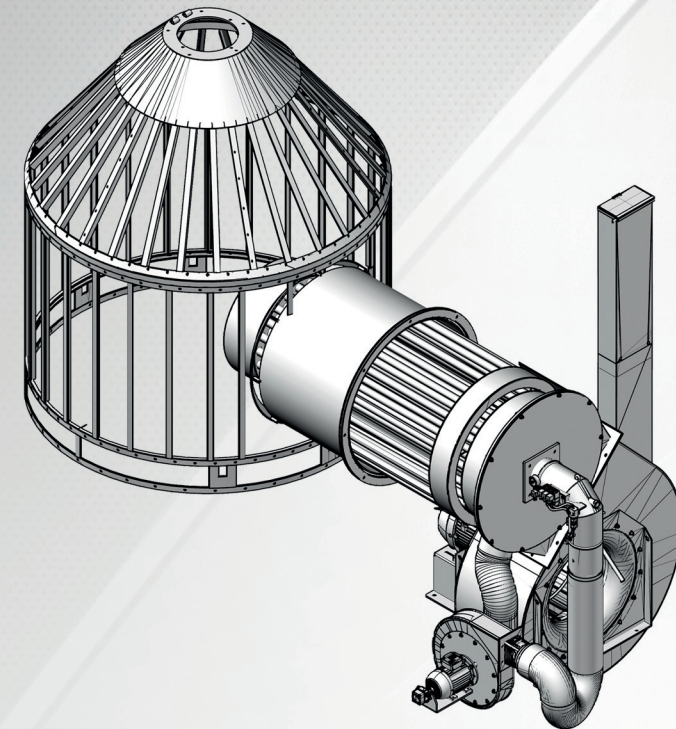
Today, indirect fire (synonym for ORGANIC) drying process is still not compulsory, except in some countries and only for some products.

However, it is undeniable that in recent years market operators – farmers, traders, food processing industries – have become more and more sensitive and pay more and more attention on this aspect of the drying grain process.

As an answer to this major sensitivity, Pedrotti offers the latest generation of heat exchanger COMPACT series.



**THE COMPACT
PEDROTTI HEAT
EXCHANGER
IS INSTALLED IN
THE INSIDE OF THE
DRYER AND IT
DOES NOT
INCREASE THE
USUAL
DIMENSIONS
OF THE MACHINE.**



The **modern design**, the **compact structure**, the employment of **precious materials** (three different kinds of steel) in order to optimize the heat performance, permit to **overcome all traditional obstacles** that can occurs with an heat exchanger (high extra charge; high fuel consumption; low limit of the temperature for working).

As a result the price is much more competitive and the **heat performance is never under the 90%**. The "Compact" exchanger is installed in the inside of the dryer and it does not increase the usual dimensions of the machine. The working temperature can reach **90°C/100°C beyond the room-temperature**.

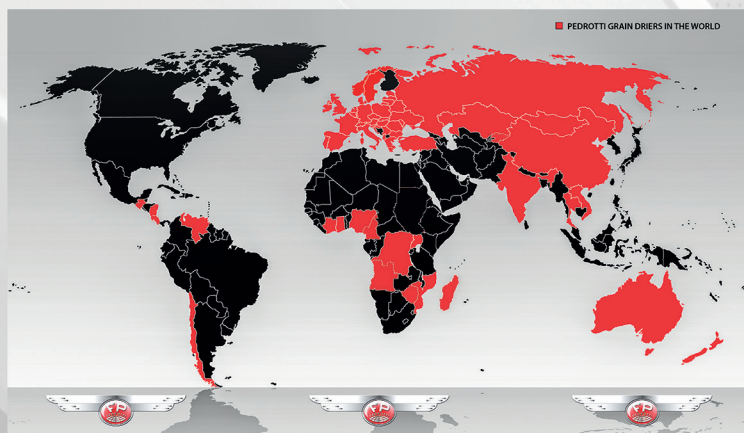


DISTRIBUTORS AND ASSISTANCE ALL OVER THE WORLD

In sixty-five years, we have sold thousands of dryers in the EU, Russia, Asia, Africa, and South America. Only in the UK as an example, we reached in 2012 the 2000th machine installed in that country.

As for the UK, in the rest of the world, our policy is to establish a strong connection with each country and territory. We deal with exclusive importers trained in our factory to be efficient during all sales, logistics, assembling, installing, and post-sales assistance. For example, Baitek Machinery alone has almost 46 dealers in Russia and 7 in Kazakhstan.

We create only long-term cooperations with reliably local partners to be present on each territory with dealers that know it and the needs of its farmers. Furthermore, our dealers must speak the country language as their mother tongue and, most of all, live in it, granting a continued presence and availability throughout the year for sales and assistance. That's how we created the most reliable mobile grain dryers distribution net available worldwide.



SELECT THE AVAILABLE OPTIONS ON THE RIGHT TO ASSEMBLE THE MACHINE AND THEN PRESS THE "REQUEST FOR QUOTATION" BUTTON IN ORDER TO OBTAIN A CUSTOMIZED ESTIMATE. YOU WILL BE CONTACTED BY OUR PERSON IN CHARGE.

Request for quotation

© Pedrotti 2017

TRY OUR **WEB DRYER CONFIGURATOR**
TO GET IN CONTACT WITH
ALL OUR IMPORT AGENTS



DISTRIBUTORS CONTACTS AVAILABLE ON:
WWW.PEDROTTISRL.IT



DISTRIBUTORS AND ASSISTANCE

RUSSIA / KAZAKHSTAN



IRELAND



GERMANY



AUSTRIA



POLAND



BELGIUM



UK



ESTONIA



SWEDEN / DENMARK



BULGARIA



CHILE



NORWAY



LITHUANIA



UKRAINE



FRANCE / COTE D'IVOIRE



SLOVAKIA



GREECE



HUNGARY



TURKEY



MOLDOVA



CHINA



SPAIN



LATVIA



NICARAGUA



VENEZUELA

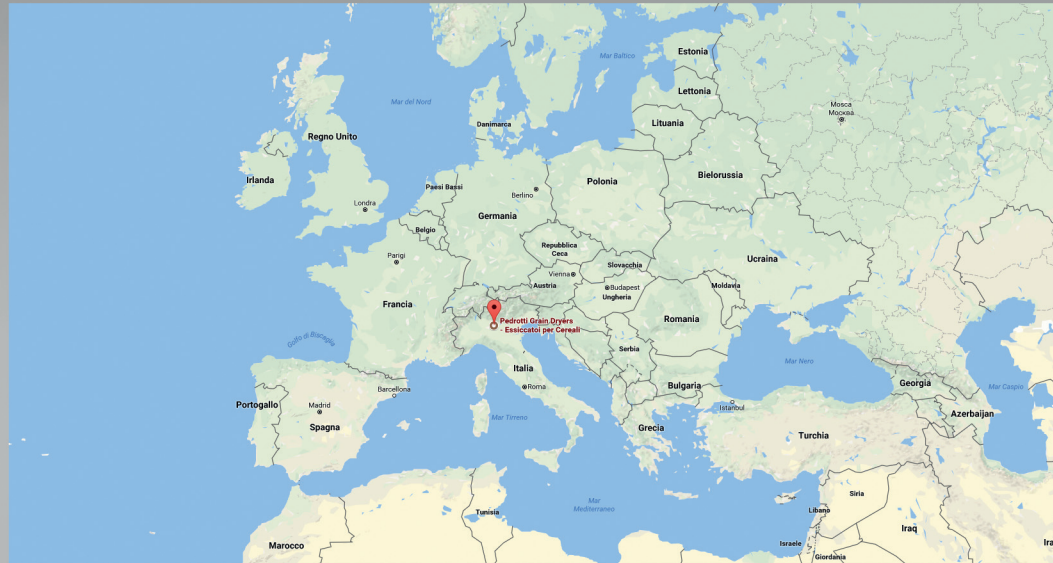


CROATIA



BELARUS





PEDROTTI GRAIN DRYERS

Fratelli Pedrotti s.r.l.
Via Zanardelli 12/A
Mairano (BS) 25030 - Italy - EU

www.pedrottisrl.it
Telephone: +39 0309975210
E-mail: info@pedrottisrl.it



 www.pedrottisrl.it

 [Pedrotti Grain Dryers](https://www.youtube.com/Pedrotti Grain Dryers)

 [Pedrotti Grain Dryers](https://www.facebook.com/Pedrotti Grain Dryers)

 [pedrottigraindryers](https://www.instagram.com/pedrottigraindryers)

1958 - 2023

65TH ANNIVERSARY



**THE WORLD LARGEST RANGE OF RECIRCULATING
BATCH GRAIN DRYERS SUITABLE TO DRY
EVERY CROP AND OLEAGINOUS.**



1958 - 2023

PREMIUM QUALITY,
BEST ENDURANCE,
STRENGTH & SERVICE.
SINCE 1958
THESE ARE OUR HALLMARKS.

FLAVIO PEDROTTI
- CEO -

